

Jameco Part number 105881

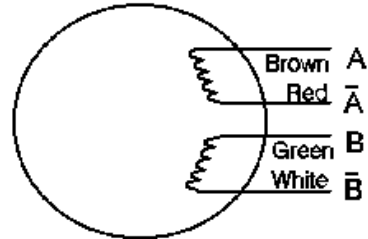
JAMECO
ELECTRONIC COMPONENTS
COMPUTER PRODUCTS

Part No. 105881
Product No. SM4203
2 Phase Bipolar Stepper Motor

1355 Shoreway Rd., Belmont, CA 94002 * Tel: 415-592-8097 * Fax: 415-592-2503 * BBS: 415-637-9025

Specifications:

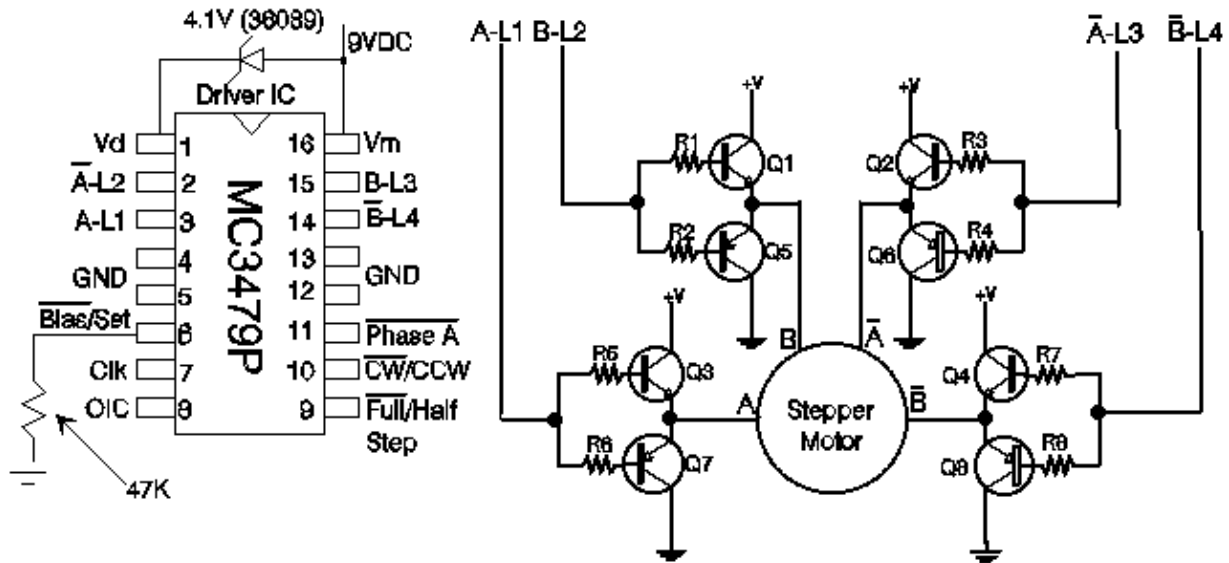
- Bipolar (2 Phase)
- 12VDC, 480mA
- Coll: 25 Ohm
- 3.6 degrees/step
- Shaft: 0.19"D x 0.43"L
- Mounting Hole Spacing: 1.73"
- Mounting Hole Diameter: 0.11"
- Motor: 1.66"D x 1.38"H
- Detent Torque: 80 g-cm
- Holding Torque: 600 g-cm
- Weight: 0.5 lbs.



Step	A	B	A̅	B̅
1	+	+	-	-
2	-	+	+	-
3	-	-	+	+
4	+	-	-	+
5	+	+	-	-

Applications:

- Automation
- Robotic Control
- Precision Mechanical Control



Q1-Q4 = MJE3055T (25857)
Q5-Q8 = MJE2955T (25831)

R1-R8 = 1K (29663)
Driver IC - MC3479P (25216)