

Generating Composite Video

by Allan G. Weber

Fall 2006

Either of the following circuits can be used to generate a composite video signal from digital (black/white) video and composite sync. The composite sync and composite blanking signals are available from the 74ACT715 sync generator.

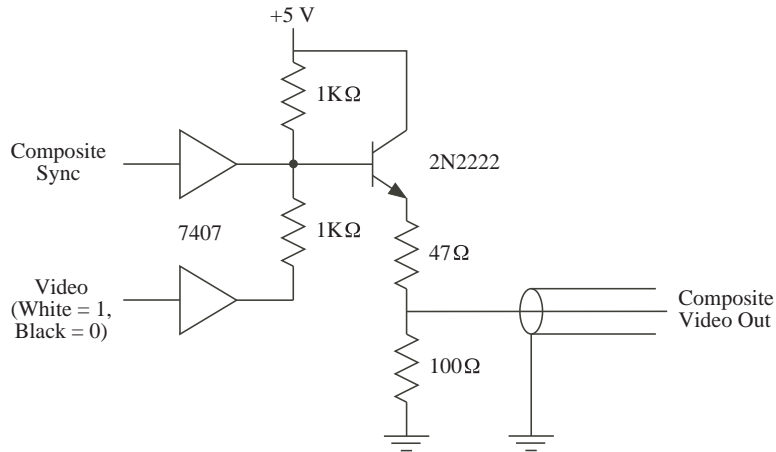


Figure 1: Using 7407 Open Collector Buffers

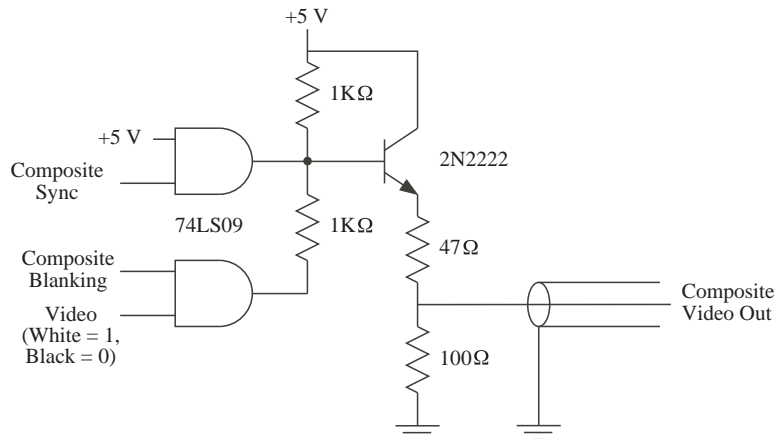


Figure 2: Using 74LS09 Open Collector AND Gates